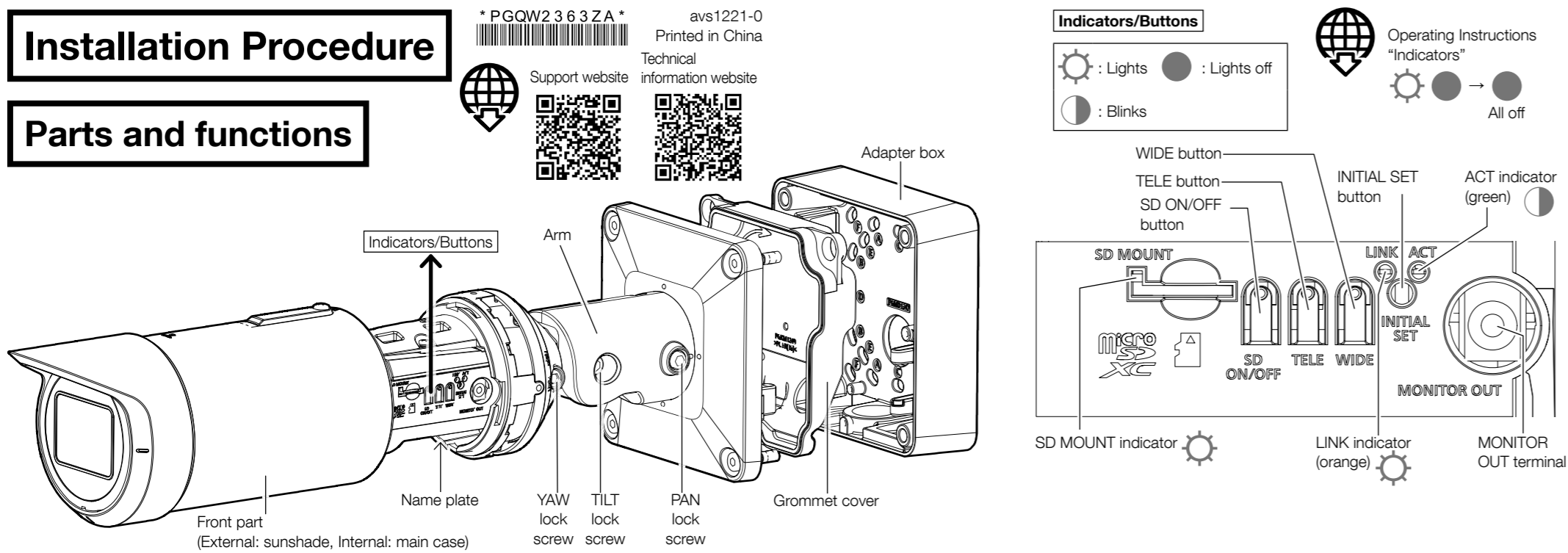
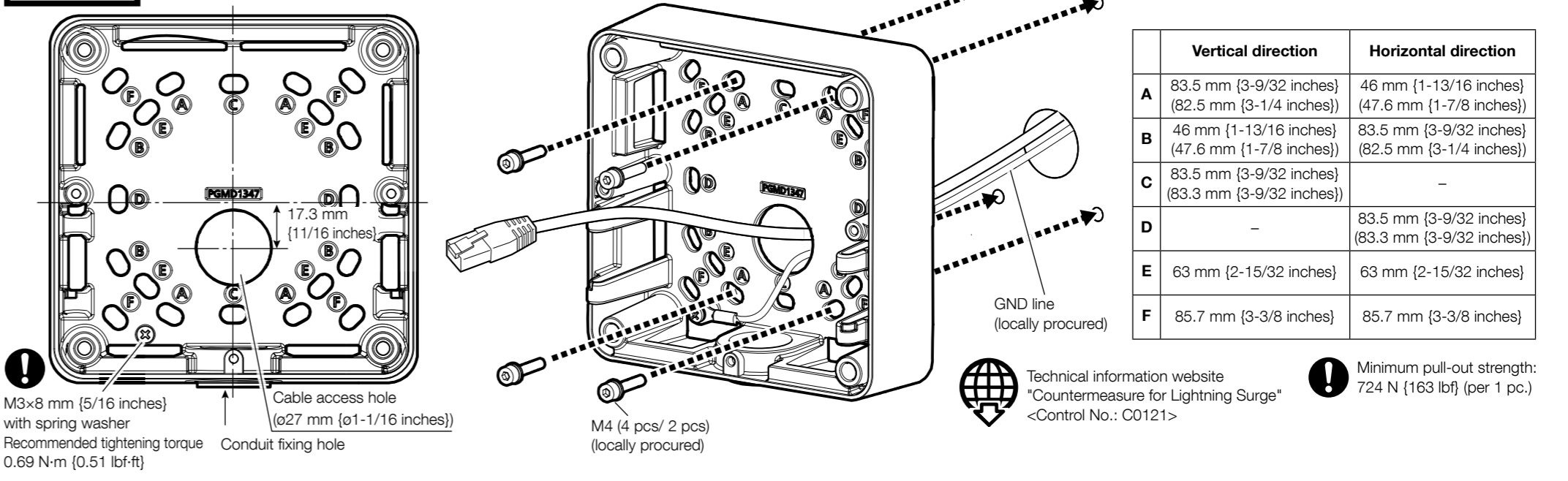


# Installation Procedure

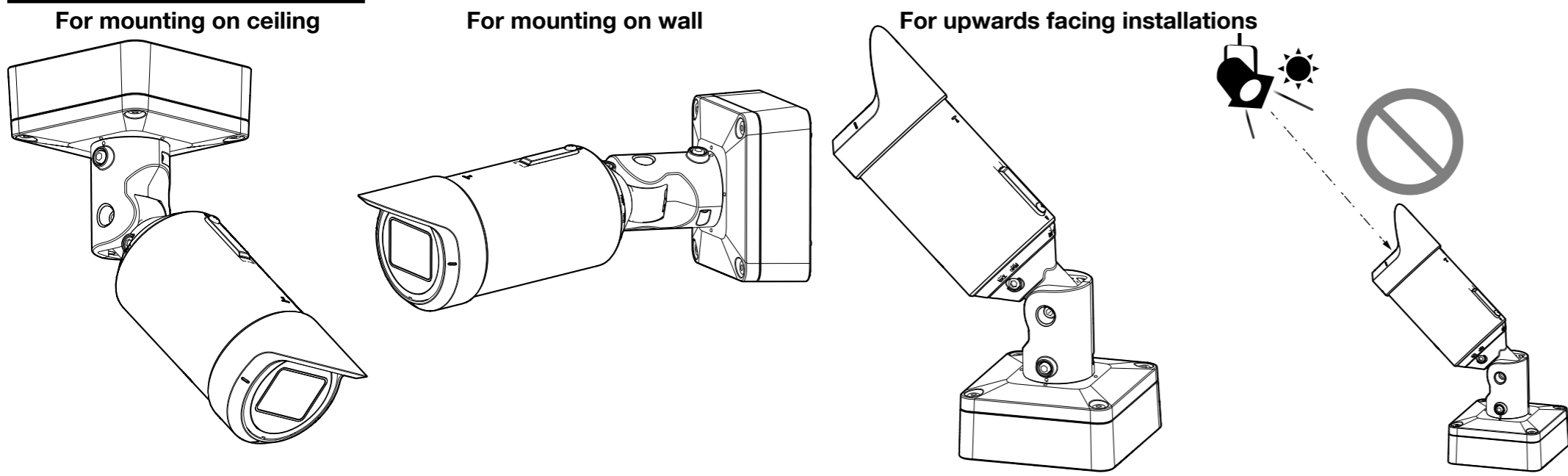
## Parts and functions



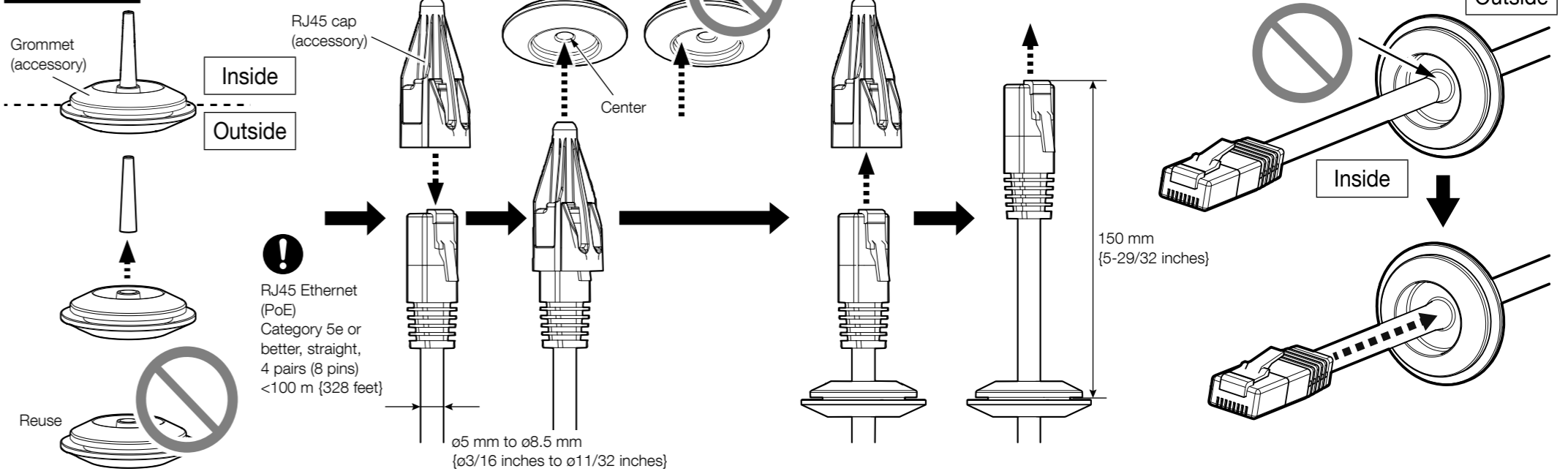
## Step2



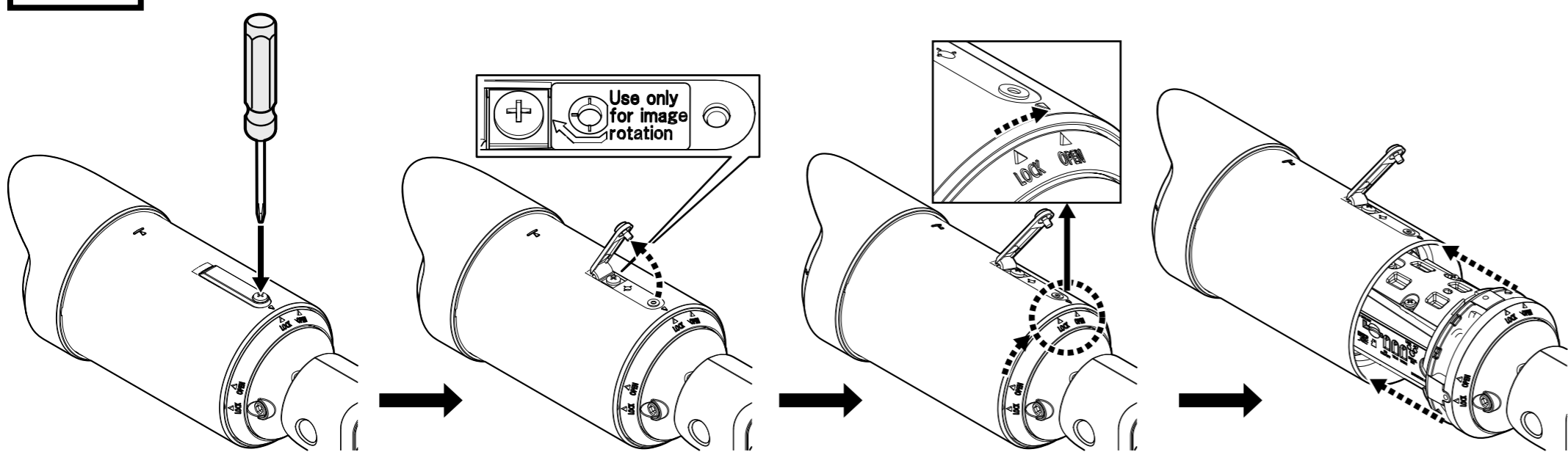
## Installation method



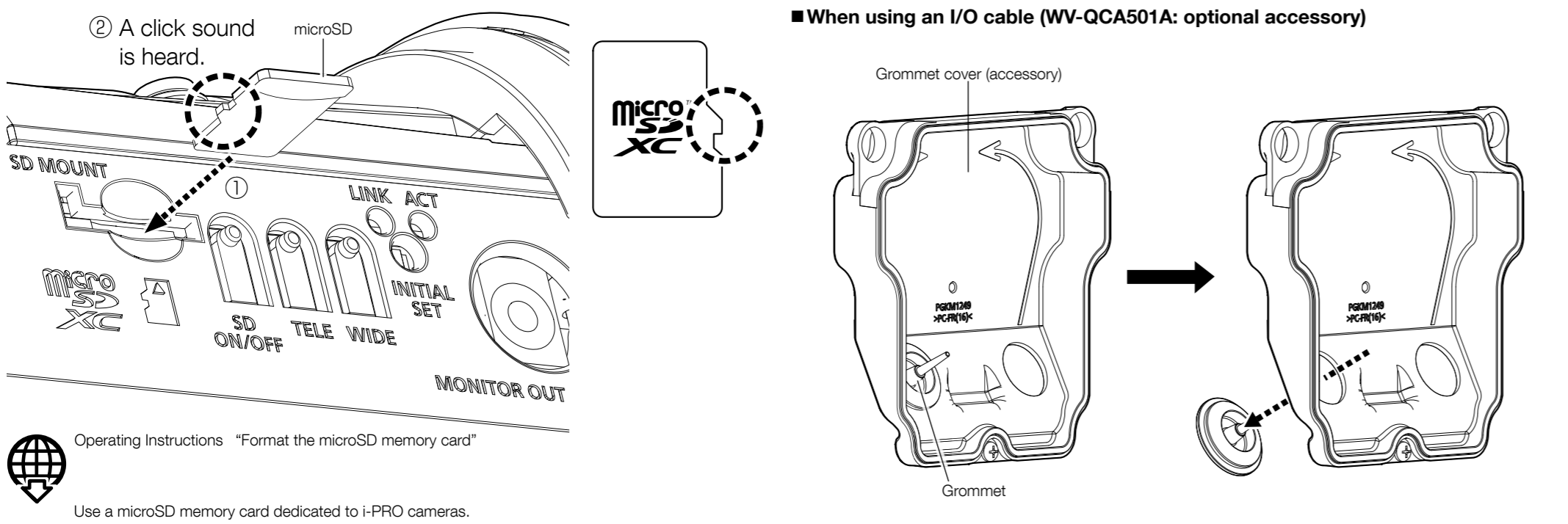
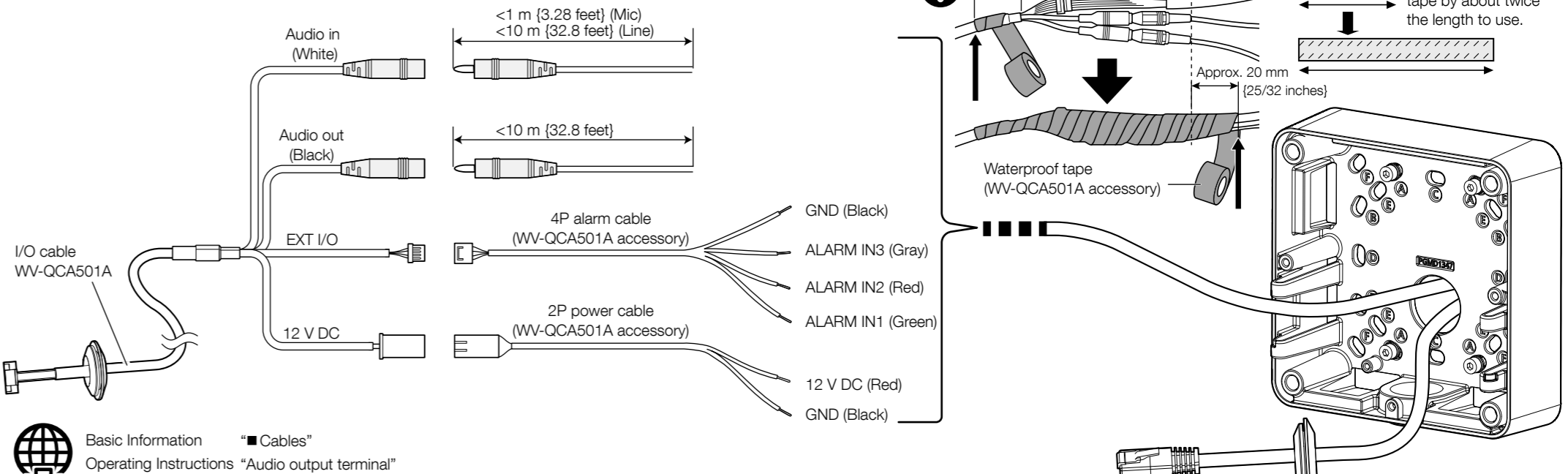
## Step3



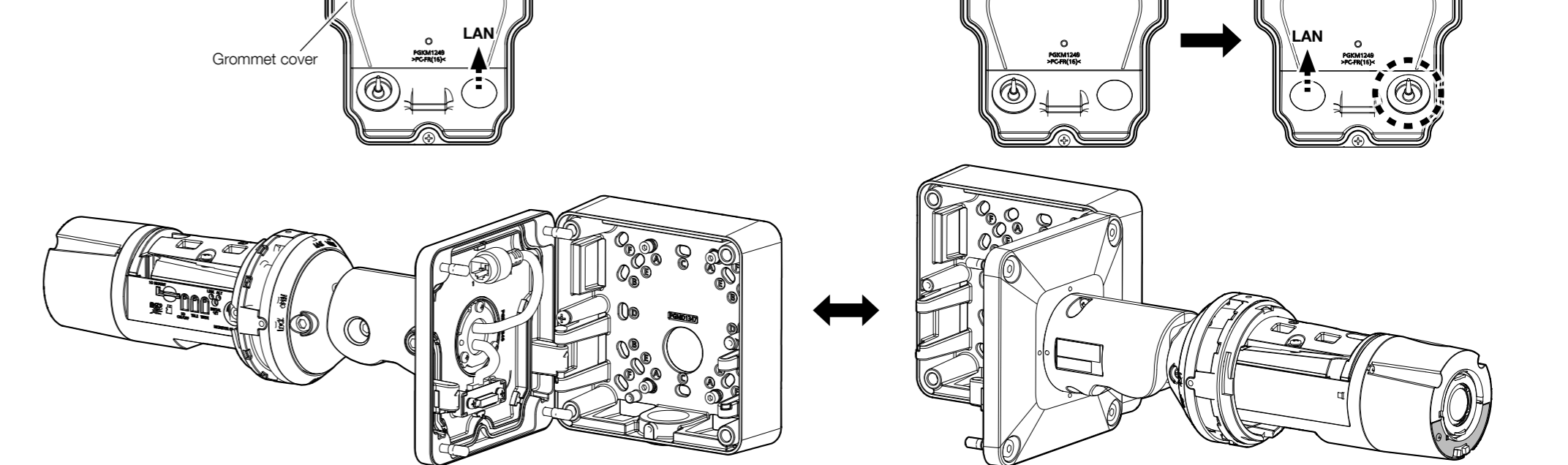
## Step1 Preparations



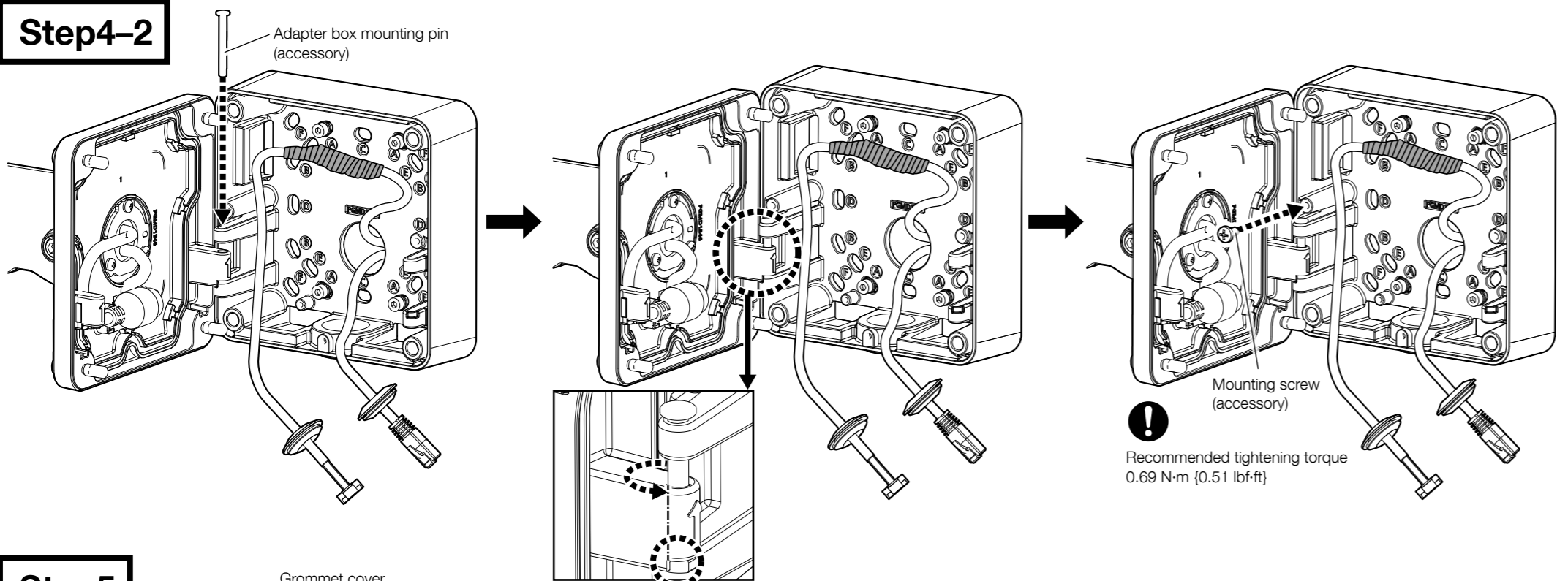
### When using an I/O cable (WV-QCA501A: optional accessory)



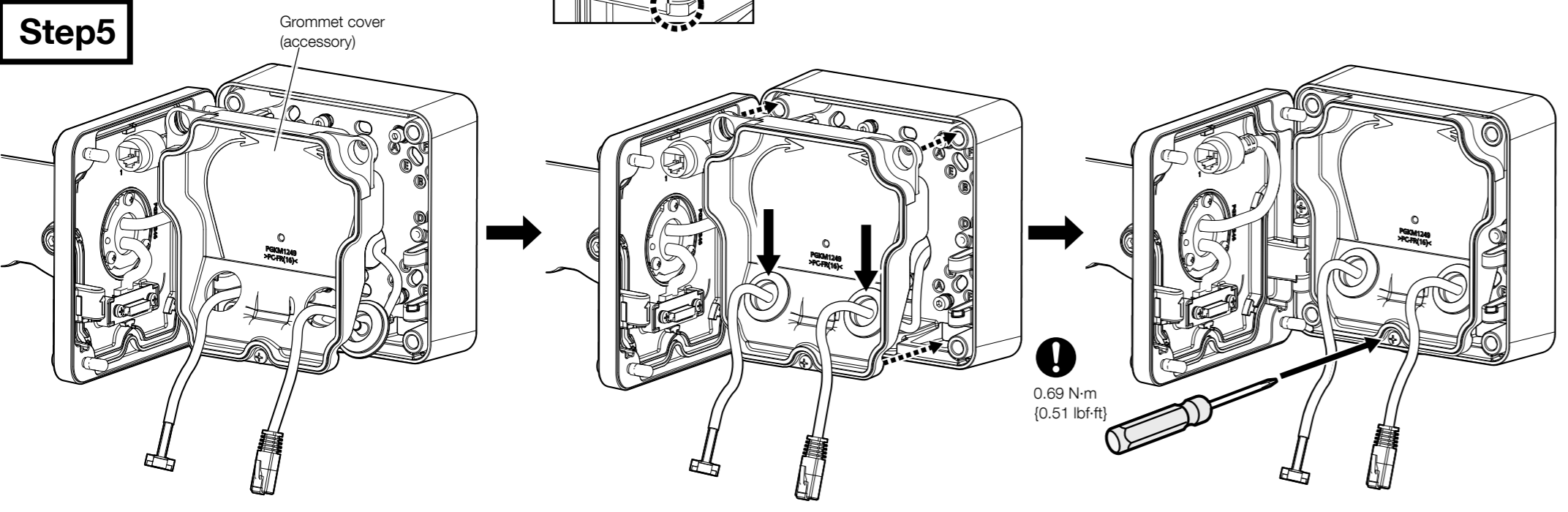
## Step4-1



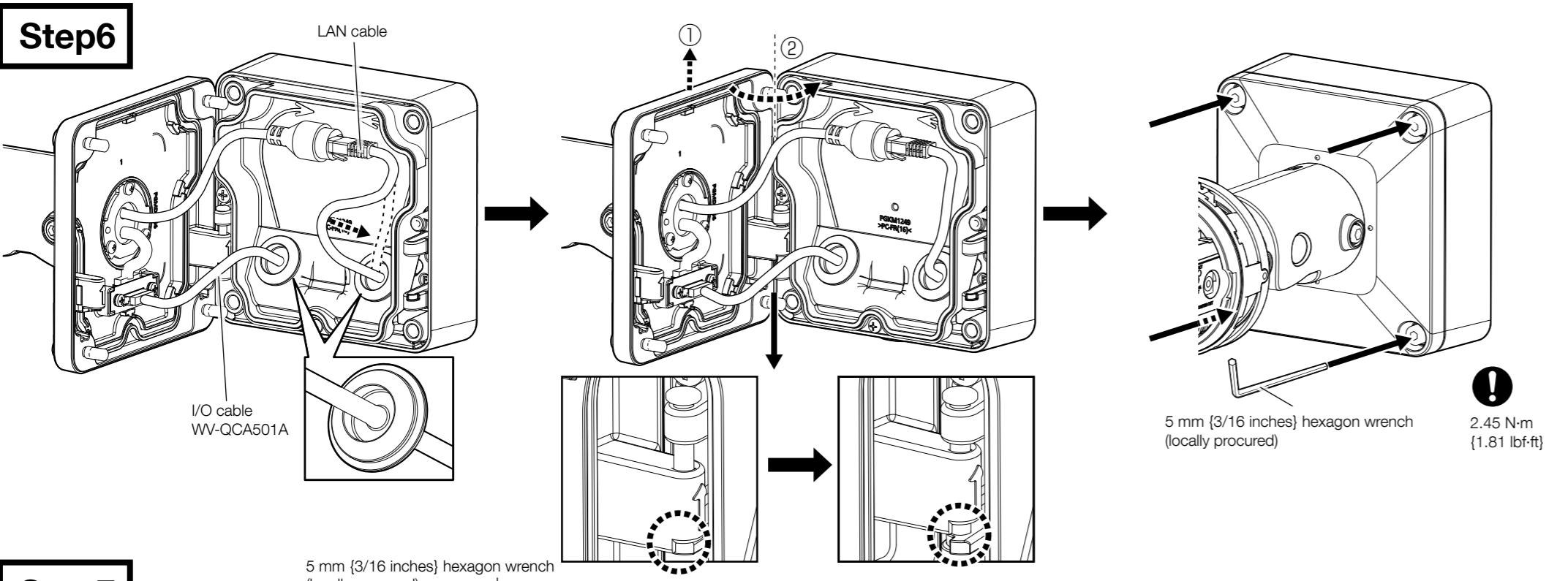
**Step4-2**



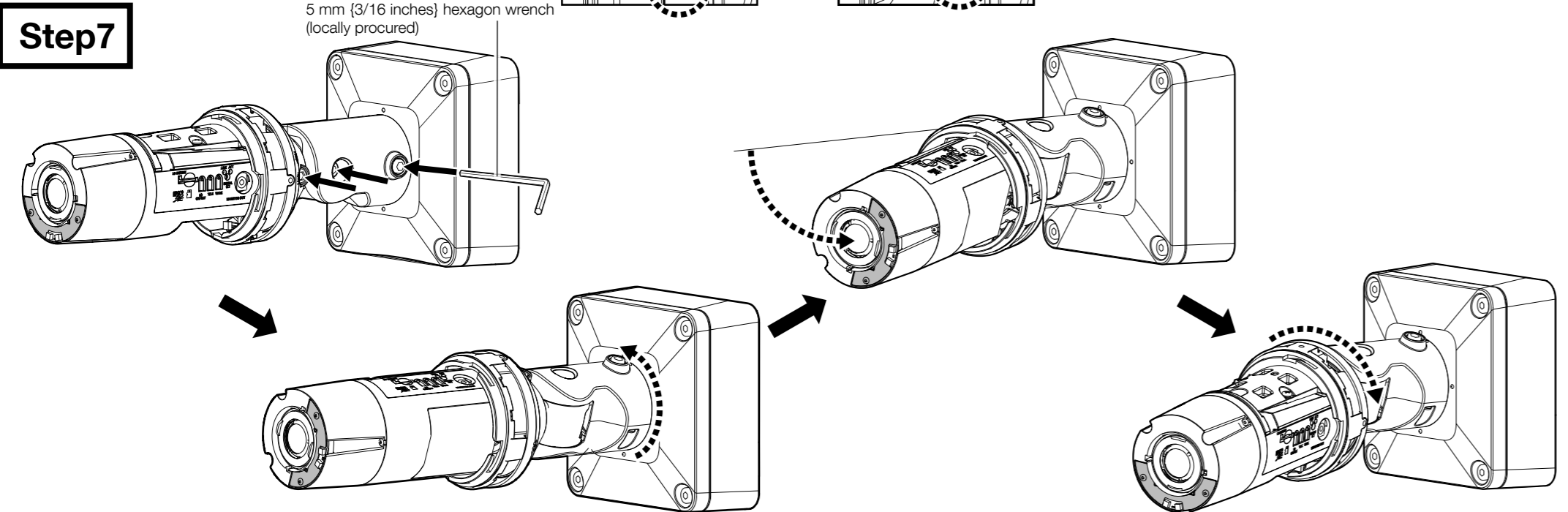
**Step5**



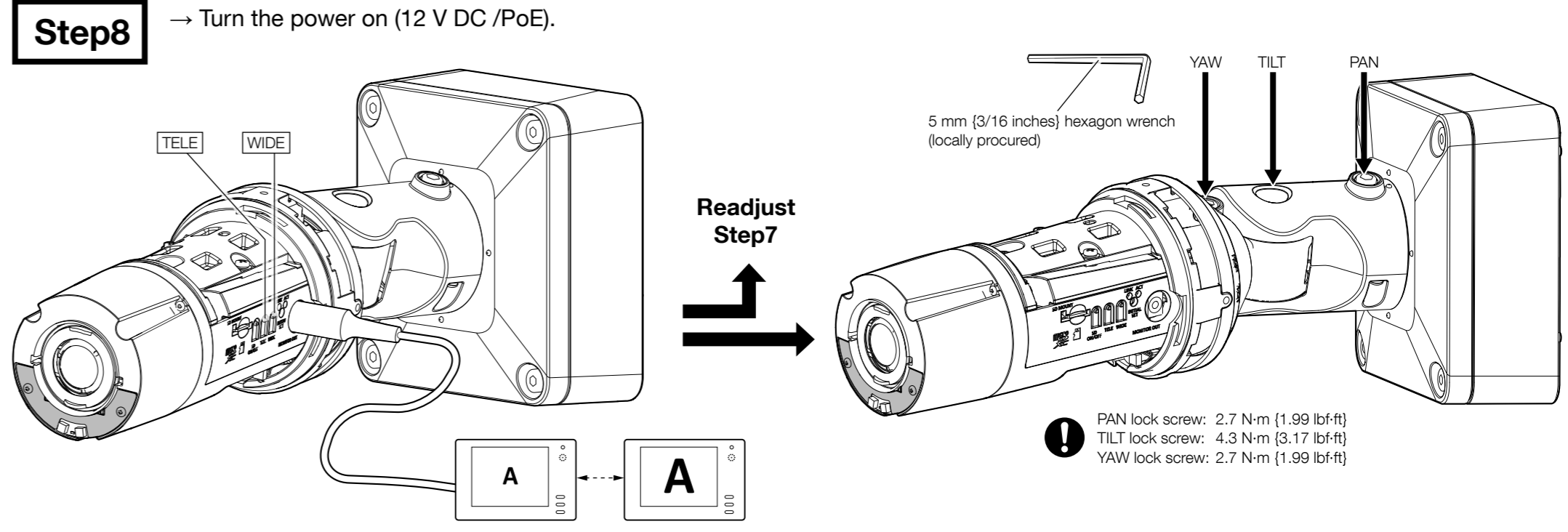
**Step6**



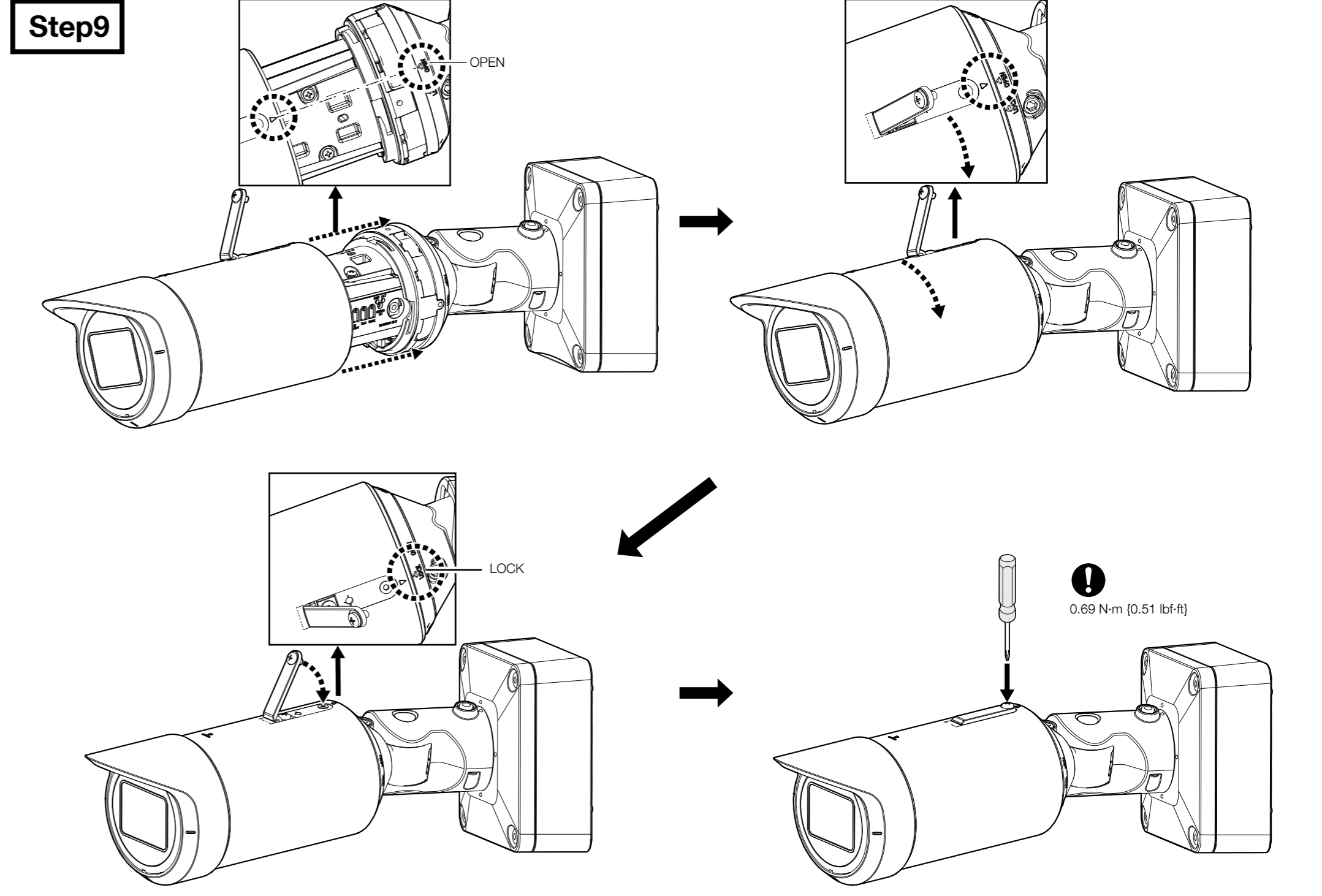
**Step7**



**Step8**



**Step9**



**Step10**

